

MAKING MOBILITY HAPPEN.

today / tomorrow / together

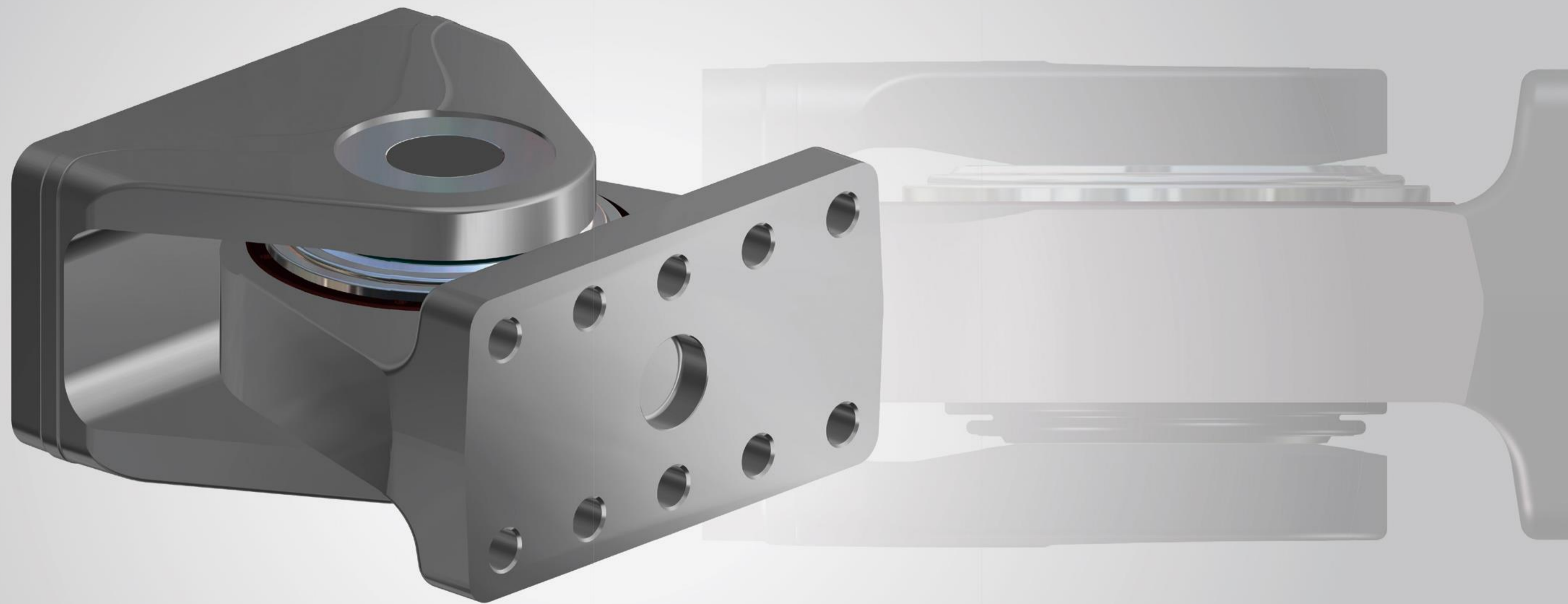
HÜBNER EXPERT TALKS

**HÜBNER ARTICULATION SYSTEMS:
PERFECTLY CONNECTING RAIL VEHICLES**

DIPL. ING. MATTHIAS HEIWIG

TECHNICAL OFFER MANAGER GANGWAY SYSTEMS AND ARTICULATIONS, DIVISION MOBILITY RAIL





HÜBNER ARTICULATIONS:
PERFECTLY CONNECTING RAILWAY VEHICLES

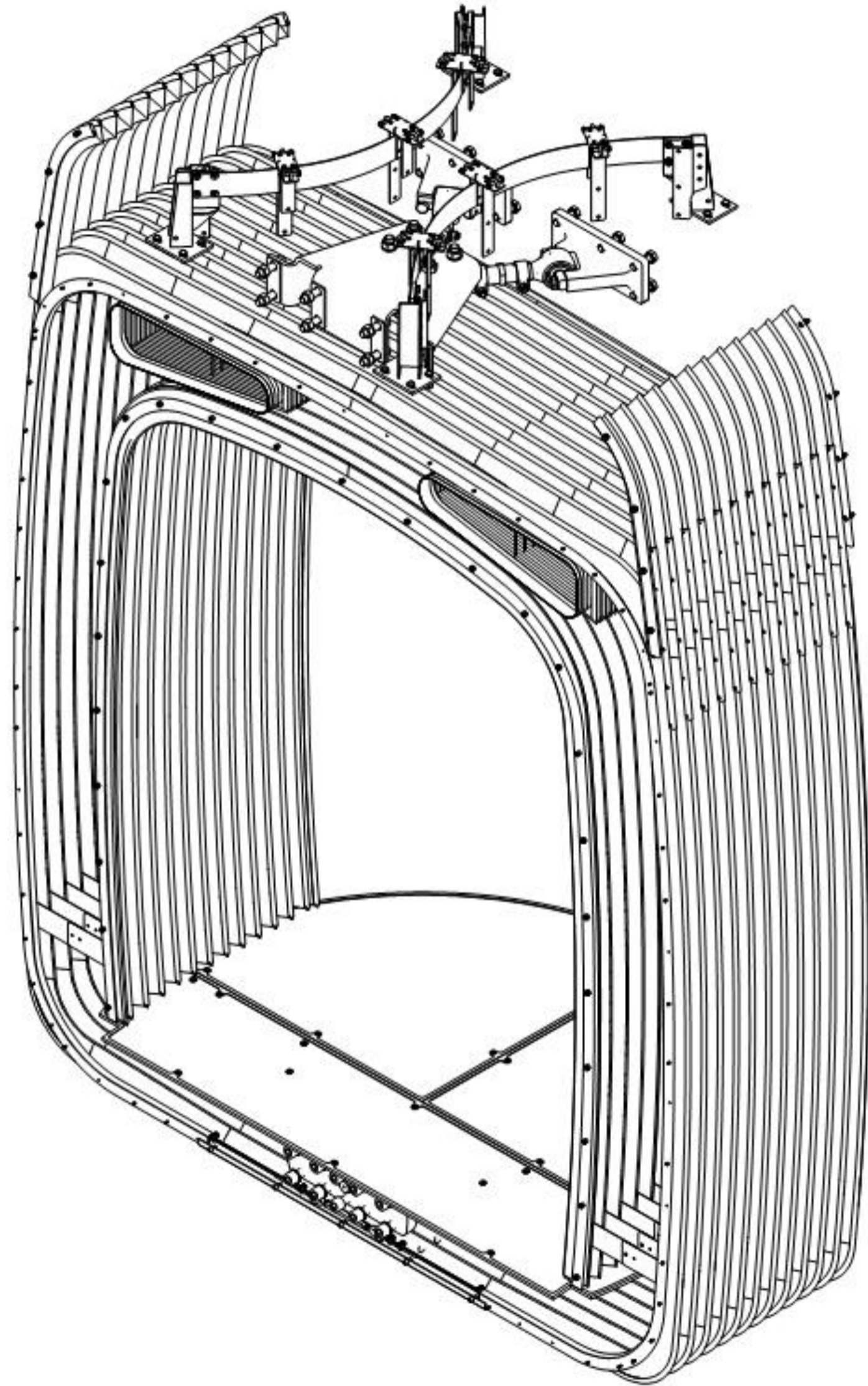


LRV VEHICLES

OVERVIEW



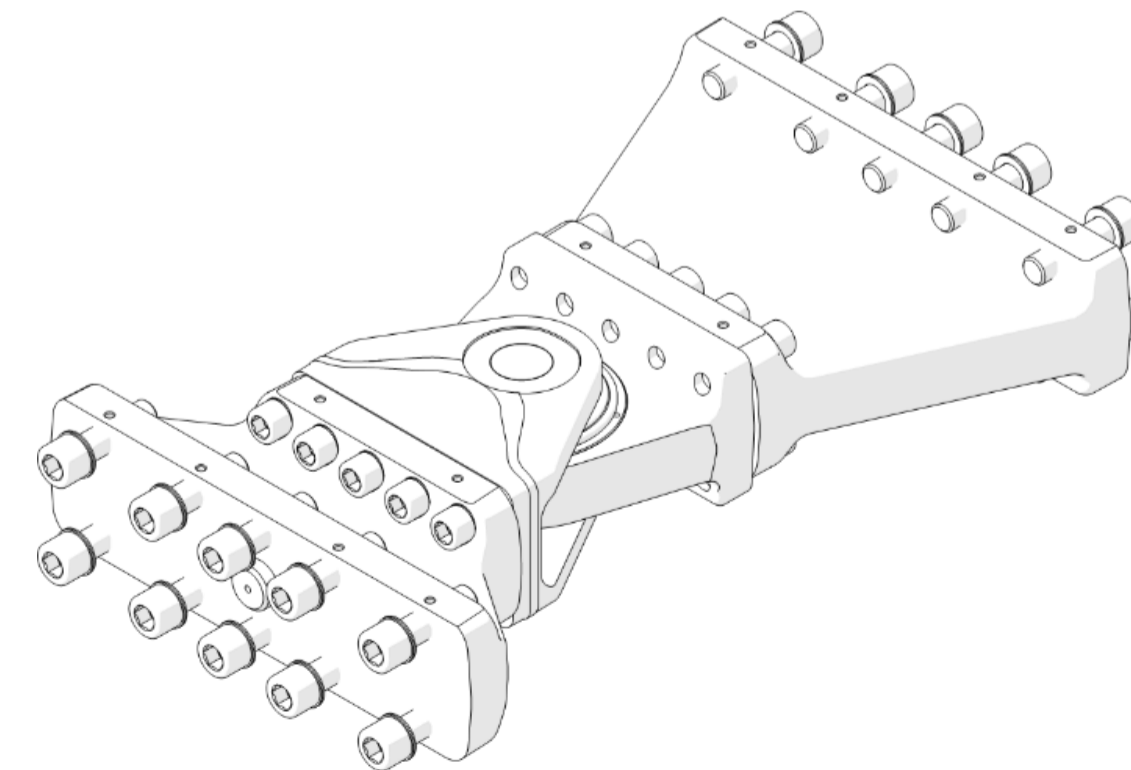
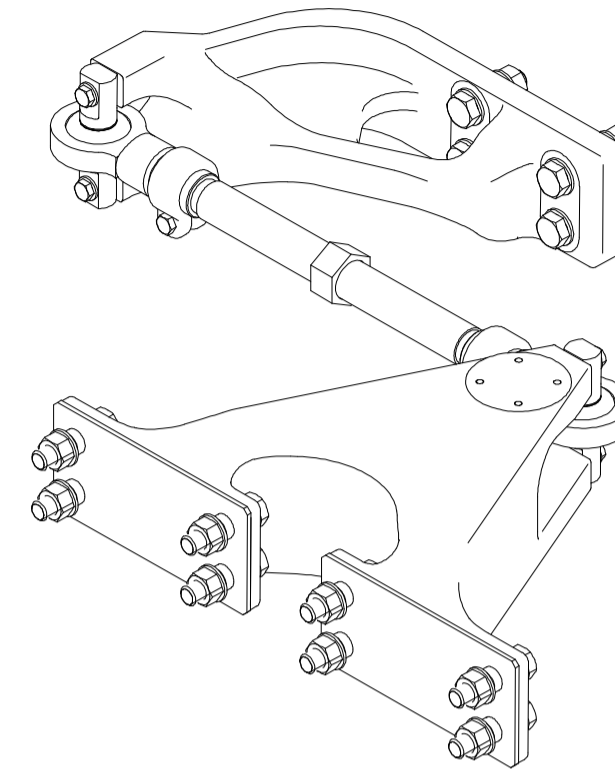
- Modern Low Floor LRV vehicles comes into service in several concepts using gangway systems with lower and upper articulations
- HÜBNER provides a wide range of products from single bellows to a complete system

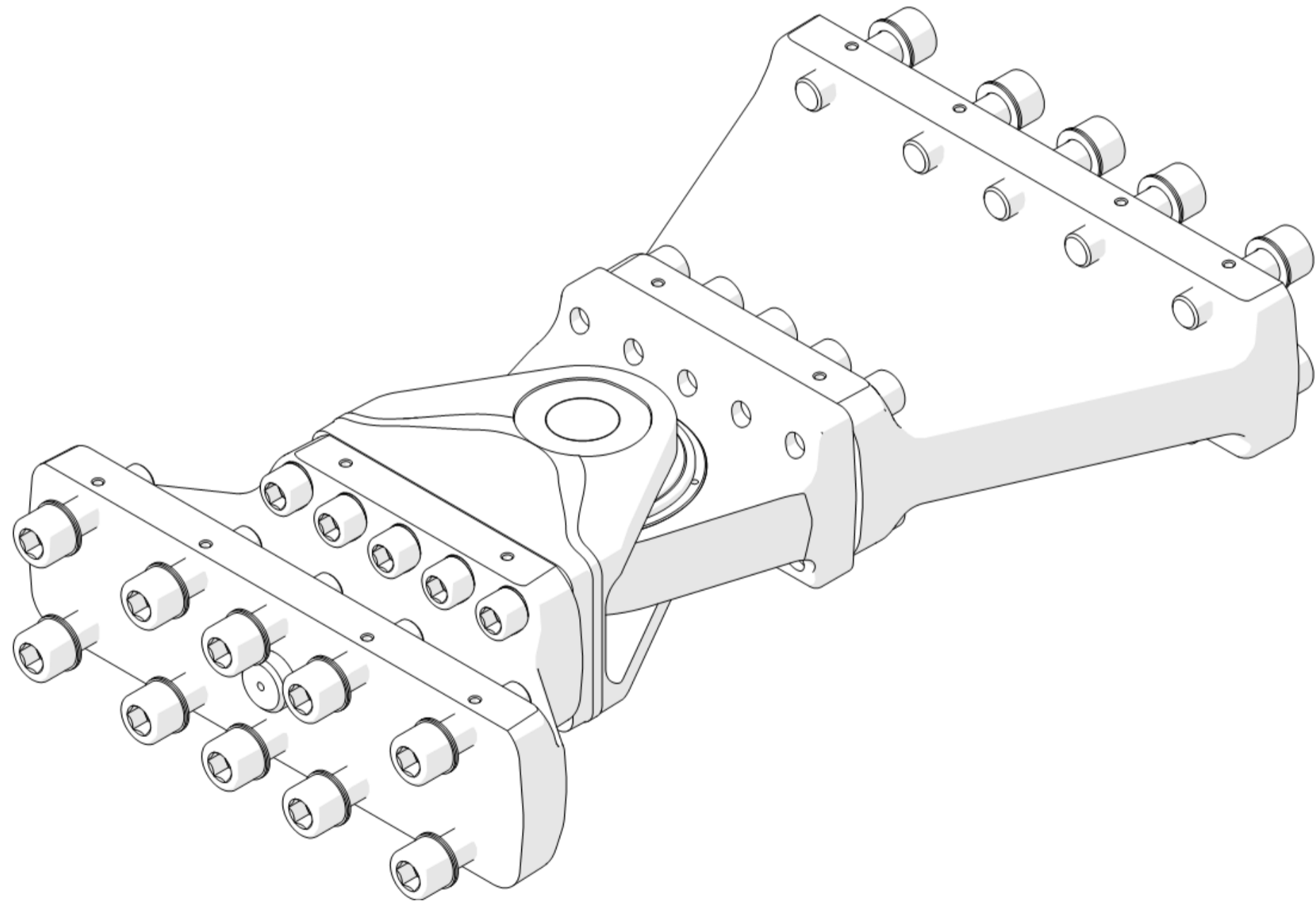


GANGWAY SYSTEM

LRV VEHICLES

- Gangway system
 - Bellows
 - Turntable
 - air ducts
 - energy guiding
- Lower articulation (spherical bearing)
- Upper articulation
 - hinge type
 - pitching type
 - rolling type



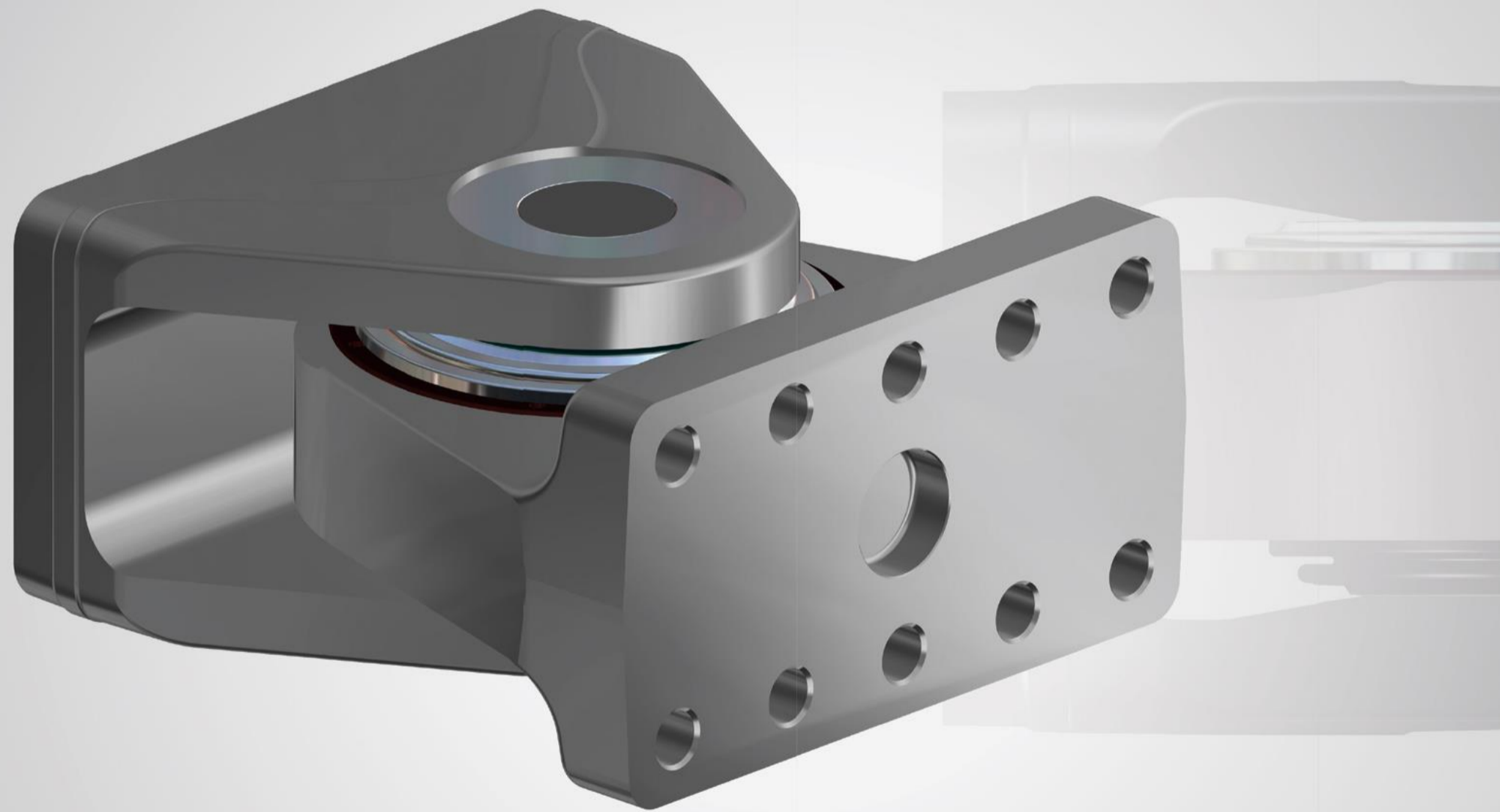


GANGWAY SYSTEM

LRV VEHICLES

Lower articulation:

- Forged material
- Core articulation standardized
- Flexible by using different adapters



LOWER ARTICULATION

FX 1000 PRO

- Forged parts
- Bearing inhouse produced
- Modified tribological system
- Maintenance free
- Optimized life-time
- Tested under load and in different environments

FX1000pro – PERFECT PRODUCT DEVELOPMENT

Optimized Eco Design

- Increased usage estimate only one change in vehicle life time
- 98 % of the mechanical parts can reused during overhaul

Optimized availability also for spare parts

- In-house production
- standard parts for different projects





SINCE 1946:
FROM RUBBER PRODUCTION TO LASER TECHNOLOGY

HÜBNER PRODUCTS STAND FOR:
SAFETY | HIGH QUALITY | COMFORT & CONVENIENCE | LONG LIFE

HÜBNER is certified: DIN EN ISO 9001:2015, DIN 6701-2, DIN EN 15085-2, DIN EN ISO 14001:2015, DIN EN ISO 3834-2,
DIN EN ISO 50001:2011, ISO/TS 22163, NLF/ILO -OSH 2001 / ISO 45001:2018



Thank you for your kind attention!

